



Sirius

CLASSIC ALFRESCO RANGE

SL80BBQ90ELB

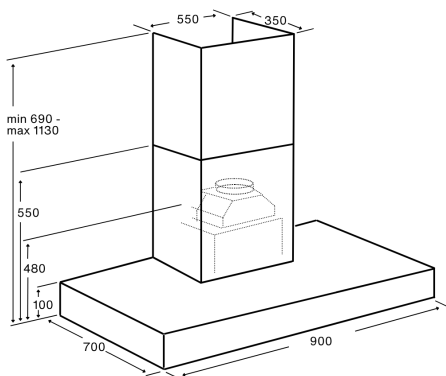
900MM CANOPY IN BLACK WITH TWIN MOTOR



SPECIFICATIONS

Rangehood Type	Canopy
GTIN	9351116007003
Country of Origin	Hand-Crafted in Italy
Suits Cooktop Size	600-900mm
Suits Cooktop Style	Induction, Gas, Electric, BBQ
Recommended Install Height	min 1200 - max 1600mm from BBQ surface min 600 - max 750mm from cooktop surface
Finish	Black Marine-Grade Stainless Steel
Controls	Button Control
Speed Settings	4 (3 + Booster)
Recirculating	No
Filter Type	2 x 25mm Baffle
Noise Level*	approx. 45dBA to 70dBA
Lighting	2 x 6W LED Lighting
Run-on Timer	Yes - 10mins
Automatic Shut-Off	Yes - 4hrs
Electrical Requirement	10AMP
Max Current (W)	562W
Motor Options	Twin Onboard Green Energy
Extraction Rate#	2000m ³ /h
Ducting Options	Top
Ducting Size	200mm diameter
Product Dimensions (mm)	H min690-max1130 x W900 x D700
Nett Weight	42kg
Carton Dimensions (mm)	H750 x W990 x D720
Gross Weight	45kg
Warranty	3 Years - 6 Years if paired with Sirius Ducting

LINE DRAWING



See user manual for more information

KEY FEATURES



Onboard Green Energy Motor

Our revolutionary technology paired with advanced engineering generates greater air movement with less fan movement, creating a superior cooking environment.



Powerful Airflow

With impressive airflow and control, this rangehood quickly and effectively removes smoke, steam, heat, odours, and other airborne particles from the kitchen. Conveniently controlled with 4 speed settings.



LED Lighting

LED lights that are eco-friendly and energy efficient. Their durability makes them resilient to heat, and they emit a nice, bright light, making them a perfect option for your hoods lighting.



Baffle Filters

Interlocking C-shaped baffles capture grease and smoke. Highly regarded for their advanced design and durability, their leading construction is designed to catch oil, grease and other contaminants. With a lifetime warranty, they clean effortlessly in the dishwasher.



Induction Suited

This rangehood has the sufficient extraction required to facilitate induction cooking. As induction cooking uses the base of the pan as the heat source, less moisture and steam is evaporated before it reaches the filters. This can create drops of water that drip into your cooking.



Button Control

Easy to use, the sleek button control lets you power your rangehood with a simple, classic touch. Control the rangehoods fan speed and lighting effortlessly at the touch of a button. Modern design and straightforward controls make operation a breeze while enjoying your cooking experience.



Marine Grade

A marine grade rangehood outdoor placement is important for those who live within five kilometres of the coast. The levels of salt in the air can lead to corrosion in metals which damage and reduce the lifespan of your rangehood. Marine grade stainless steel is designed to resist corrosion.



Extra Deep Coverage

Ensuring ultimate extraction over your high-performance cooktop or BBQ, the Extra Deep range gives you superior coverage. With cleaner and more efficient cooking environment, all grease, odours and airborne particles are captured with the additional front to back coverage.



Hand-Crafted in Italy

Quality, functionality, innovation, style & luxury hand-crafted in Italy. Leading the market in design and functionality, this collection has been specifically handpicked for Australian living.

#Extraction rate is an approximate figure and may vary depending on installation.

*Please note noise level is an approximate range and subject to installation and surrounding materials.

For more information, visit our website.



Sirius

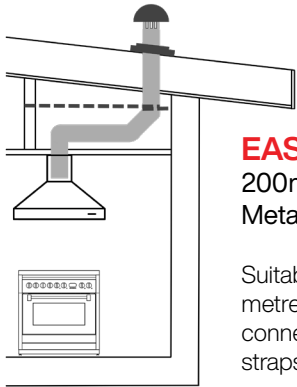
CLASSIC ALFRESCO RANGE

SL80BBQ90ELB

900MM CANOPY IN BLACK WITH TWIN MOTOR



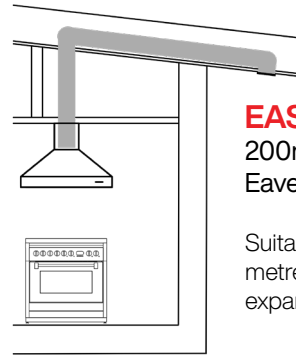
DUCTING OPTIONS



EASYROOFKIT

200mm diameter
Metal/Tiled Roof Installations

Suitable for duct runs of up to 4 metres, semi-rigid, solid duct, internal connectors, clamps, flashing, bracing straps and galvanised cowl included.



EASYEAVEKIT

200mm diameter
Eave Installations

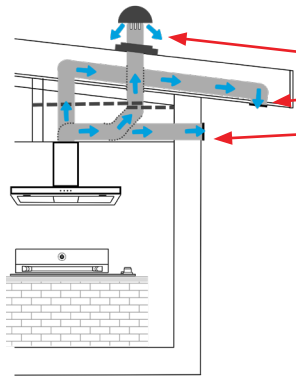
Suitable for duct runs of up to 3 metres, semi rigid, clamps 125/150 expander and eave vent included .



EASYWALLKIT

200mm diameter
External Wall Installations

Suitable for duct runs of up to 3 metres, semi rigid, clamps 125/150 expander and wall vent include.



ALFRESCO DUCTING

EASYROOFKIT

EASYEAVEKIT

EASYWALLKIT

NB: rangehood should be 1200mm - 1600mm above BBQ cooking surface.

An interlock or shut-off valve is recommended for enclosed alfresco areas. See user manual for more information.

6 Year Warranty

when Sirius ducting is used

Sirius has its own range of ducting kits and components, designed to get the most power and efficiency out of its hoods. The full range of high quality, cost effective ducting kits and individual parts will provide you with the best result for your rangehood.

All EasyKits can be extended with 1 set (2) Universal Ring Clamps (JRC25-215) 1x connector and 1x Semi Rigid Duct length (SRPRO30-150) that expands upto 3 metres.

Visit our website for more information on Sirius Rangehoods, SEM Motors and Sirius Ducting and EasyKits

