



# Sirius

## ALFRESCO RANGE

### SL83BBQ150ELM

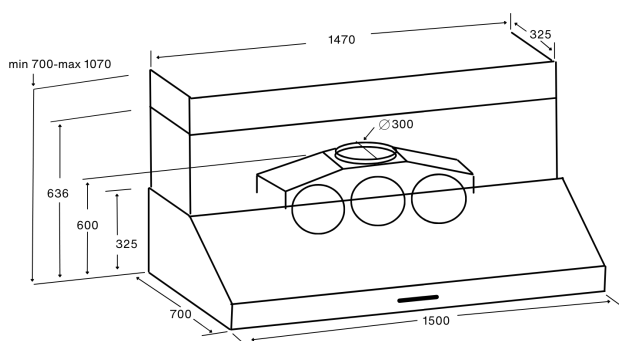
1500MM CANOPY WITH TRIPLE MOTOR



#### SPECIFICATIONS

Rangehood Type	Canopy
GTIN	9351116007119
Country of Origin	Hand-Crafted in Italy
Suits Cooktop Size	900-1500mm
Suits Cooktop Style	Induction, Gas, Electric, BBQ
Recommended Install Height	min 1200 - max 1600mm from BBQ surface min 600 - max 750mm from cooktop surface
Finish	Marine-Grade Stainless Steel
Controls	Remote & Button Control
Speed Settings	4 (3 + Booster)
Recirculating	No
Filter Type	3 x 25mm Baffle
Noise Level*	approx. 58dBA to 70dBA
Lighting	5 x 20W LED Lighting
Run-on Timer	Yes - 10mins
Automatic Shut-Off	Yes - 4hrs
Electrical Requirement	10AMP
Max Current (W)	925W
Motor Options	Triple Onboard Green Energy
Extraction Rate#	3000m <sup>3</sup> /h
Ducting Options	Top
Ducting Size	300mm diameter via fitted transit piece to cover outlets, or 3 x 150mm diameter
Product Dimensions (mm)	H min770-max1070 x W1500 x D700
Nett Weight	55kg
Carton Dimensions (mm)	H780 x W1590 x D760
Gross Weight	60kg
Warranty	3 Years - 6 Years if paired with Sirius Ducting

#### LINE DRAWING



See user manual for more information

#### KEY FEATURES



##### Onboard Green Energy Motor

Our revolutionary technology paired with advanced engineering generates greater air movement with less fan movement, creating a superior cooking environment.



##### Powerful Airflow

With impressive airflow and control, this rangehood quickly and effectively removes smoke, steam, heat, odours, and other airborne particles from the kitchen. Conveniently controlled with 4 speed settings.



##### LED Lighting

LED lights that are eco-friendly and energy efficient. Their durability makes them resilient to heat, and they emit a nice, bright light, making them a perfect option for your hoods lighting.



##### Baffle Filters

Interlocking C-shaped baffles capture grease and smoke. Highly regarded for their advanced design and durability, their leading construction is designed to catch oil, grease and other contaminants. With a lifetime warranty, they clean effortlessly in the dishwasher.



##### Induction Suited

This rangehood has the sufficient extraction required to facilitate induction cooking. As induction cooking uses the base of the pan as the heat source, less moisture and steam is evaporated before it reaches the filters. This can create drops of water that drip into your cooking.



##### Remote Control

This rangehood comes with a convenient remote control, giving you the ability to operate the hood from a distance. Designed to be simple and intuitive, it allows you to effortlessly adjust the fan speed, lighting, timer settings and built-in features at an easy touch of a button.



##### Marine Grade

A marine grade rangehood outdoor placement is important for those who live within five kilometres of the coast. The levels of salt in the air can lead to corrosion in metals which damage and reduce the lifespan of your rangehood. Marine grade stainless steel is designed to resist corrosion.



##### Extra Deep Coverage

Ensuring ultimate extraction over your high-performance cooktop or BBQ, the Extra Deep range gives you superior coverage. With cleaner and more efficient cooking environment, all grease, odours and airborne particles are captured with the additional front to back coverage.



##### Hand-Crafted in Italy

Quality, functionality, innovation, style & luxury hand-crafted in Italy. Leading the market in design and functionality, this collection has been specifically handpicked for Australian living.

#Extraction rate is an approximate figure and may vary depending on installation.

\*Please note noise level is an approximate range and subject to installation and surrounding materials.

For more information, visit our website.



# Sirius

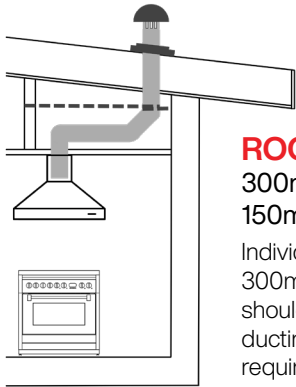
## ALFRESCO RANGE

### SL83BBQ150ELM

1500MM CANOPY WITH TRIPLE MOTOR



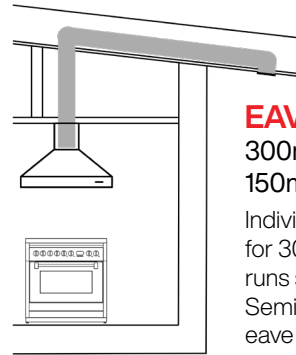
### DUCTING OPTIONS



#### ROOF SOLUTION

300mm diameter or 3 x 150mm diameter

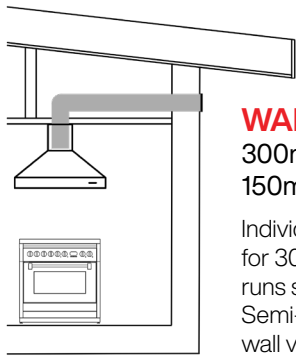
Individual components available for 300mm diameter ducting. Duct runs should be up to 3 metres. Semi-rigid ducting, clamps, and a roof cowl required.



#### EAVE SOLUTION

300mm diameter or 3 x 150mm diameter

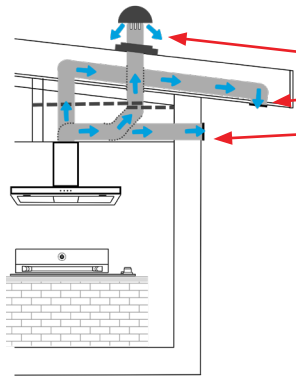
Individual components available for 300mm diameter ducting. Duct runs should be up to 3 metres. Semi-rigid ducting, clamps, and an eave vent required.



#### WALL SOLUTION

300mm diameter or 3 x 150mm diameter

Individual components available for 300mm diameter ducting. Duct runs should be up to 3 metres. Semi-rigid ducting, clamps, and a wall vent required.



#### ALFRESCO DUCTING

ROOF SOLUTION  
EAVE SOLUTION  
WALL SOLUTION

NB: rangehood should be 1200mm - 1600mm above BBQ cooking surface.

An interlock or shut-off valve is recommended for enclosed alfresco areas. See user manual for more information.

# 6 Year Warranty

when Sirius ducting is used

Sirius has its own range of ducting kits and components, designed to get the most power and efficiency out of its hoods. The full range of high quality, cost effective ducting kits and individual parts will provide you with the best result for your rangehood.

All EasyKits can be extended with 1 set (2) Universal Ring Clamps (URC25) 1 x connector and 1 x Semi Rigid Duct (SRPRO30) length that expands upto 3 metres.

Visit our website for more information on Sirius Rangehoods, SEM Motors and Sirius Ducting and EasyKits

