

Italian Crafted for
Australian Living



AUSTRALIA & NEW ZEALAND

OMBRA & VELARIO CANOPY RANGES USER MANUAL

OFFBOARD CANOPY COLLECTION

SL22ELEM90
SL22ELEM90B
SLTC97EMEL90

935116006136
935116006143
935116006570

www.siriusaustralia.com | www.siriusnz.co.nz

Congratulations on your purchase and thank you for choosing this Sirius product.

CONTENTS

Warnings	4
Before Your Install	6
Alfresco Canopy Rangehood	7
Rangehood Placement	8
Ducting	9
Installation	10
Using the Rangehood	12
Exploded View & Parts List	13
Extractor Wiring	15
Bracket Template	17
Warranty	18



WARNINGS

The air outlet of the appliance must not be connected to a flue which is used for exhausting other fumes from appliances, such as a central heating, boilers etc.

For the external exhausting of the fumes, comply with the regulations in force.

The motor of the peripheral exhausting group is powered by the cooker-hood placed in the kitchen.

Before connecting the cooker hood to the mains supply, make sure that the voltage indicated in the rating plate corresponds to the mains voltage in the home.

Before carrying out any sort of maintenance or cleaning operation, make sure that the appliance is disconnected from the electrical mains.

An appropriate maintenance ensures a good working and a good performance in the long run.

All models are built in Class I, therefore they must be earthed.

Range hoods and other cooking fume extractors may adversely affect the safe operation of appliances burning gas or other fuels (including those in other rooms) due to back flow of combustion gases. These gases can potentially result in carbon monoxide poisoning. After installation of a range hood or other cooking fume extractor, the operation of flued gas appliances should be tested by a competent person to ensure that back flow of combustion gases does not occur.

If a stationary appliance is not fitted with a supply cord and a plug, or with other means of disconnection from the supply mains, it is necessary to predict a contact separation in all poles that provide full disconnection under over-voltage Category III conditions.

Means for disconnection must be in-governance with local, state and national building regulations fixed wiring in accordance with the wiring rules.

The minimum distance between the cooktop surface and the lowest part of the range hood shall be at least 60 cm. If the instructions for installation specify a greater distance, this has to be taken into account.

This appliance can be used by children aged from 8 years and above and persons with reduced physical, sensory or mental capabilities or lack of experience and knowledge if they have been given supervision or instruction concerning use of the appliance in a safe way and under stand the hazards involved.

Children should be supervised to ensure they do not play with the appliance.

Cleaning and user maintenance shall not be made by children without supervision.

If the power cable is damaged, it must be replaced by a cable or a special assembly, available from the manufacturer or its service department technique.

Cleaning and user maintenance shall not be made by children without supervision.

The room must have adequate ventilation when using the kitchen hood simultaneously with other appliances that use gas or other fuels (not applies to appliances that simply release the air back into the room).

There is the possibility of fire if the cleaning operations are not carried out as indicated in the instructions.

Do not prepare food over open flames as sucked flames are a risk of damage to the appliance.



ATTENTION

The accessible parts can burn if used in conjunction with the cooking appliances.



WARNING



NEVER try to extinguish a fire with water! Switch off the appliance and cover flame with a fire blanket. If necessary, call the emergency services. Ensure all flames are extinguished.



WARNING



Technical specifications and product sizes can be varied by the manufacturer without notice. Cut out dimensions are indicative only and physical measurement should be taken as a precautionary measure to ensure no issues arise with fitment.



ABOUT THE CANOPY RANGEHOOD COLLECTION

It is important to keep these instructions for use with the appliance.

If the appliance should be sold or passed on to others, make sure that the instructions are passed on with it.

- This appliance is designed for normal domestic use. It is not designed for commercial or industrial use, or for purposes other than those for which it was designed.
- The appliance must be used by adults. Keep the appliance out of reach of children and always supervise when in use. Children must not operate the controls.
- When the appliance is delivered, check the overall appearance of the packaging. Any remarks should be written on the delivery coupon, of which you keep a copy.
- Any consequences of or damage from incorrect installation or incorrect use of the appliance will not be covered by the manufacturer's guarantee.
- Do not change or try to change the characteristics of this appliance. This would be a danger and will void any warranties.
- Repairs must be performed only by an authorised technician. Always disconnect the hood before carrying out cleaning or maintenance operations.
- Adequately ventilate the room when a cooker hood and other appliances, powered by energy other than electricity, are used simultaneously, so that the hood does not suck any combustion fumes.
- Do not cook food over open flames (flambé) or operate cooktops without pots or pans on them under the hood itself (the flames sucked into the hood might damage the appliance).
- Frying with oil must be done under constant supervision as hot oils and fats may ignite
- Respect the guidelines for cleaning and replacement of grease filters. Accumulated deposits of grease are a fire hazard.
- Never use steam or high-pressure devices for cleaning your hood (regulations regarding electrical safety).
- Never use the rangehood without the grease filters in place.
- The recommended install height from the cooking surface to the rangehood is minimum 700mm to maximum 1600mm.



In the case of the version with external motor, for normal downdraft operation, it is necessary to use an external motor made by Sirius.

- When handling the rangehood, never put your hands or other objects in the field of action of the unit.
- This appliance may be used by children aged from 8 years old if supervised. Cleaning and user maintenance must not be made by children.
- If the supply cord is damaged, it must be replaced by the manufacturer, its service agent or similarly qualified persons in order to avoid a hazard.
- If the supply cord of the appliance is provided with a cooktop, this must be easily accessible.
- You may also find these instructional materials on our websites: www.siriusaustralia.com or www.siriusnz.co.nz
- The air being drawn can't be conveyed through or into a duct used to let out fumes from appliances fed by energy other than electric power (centralised heating, radiators, water heaters, etc.).
- Attention: remove any possible PVC film from the stainless steel, including the filters.
- To externally vent, please comply with the rules as set out by your governing area.
- The room must be provided with adequate ventilation when a rangehood and additional appliances are fed by energy other than electric power (gas, oil, or coal stoves, etc.) and are used simultaneously. The rangehood, when evacuating the air, could generate a negative pressure in the room which can't exceed the limit of 0.04 mbar, in order to avoid the suck of exhausts deriving from the heat source. Therefore the room should be provided with air intakes to allow a constant flow of fresh air.
- The minimum distance of 70cm should be allowed between the cooktop surface and the lowest part of the range hood (filter). If the instructions for installation specify a greater distance, this has to be taken into account

We thank you for taking note of these warnings before installing and using the appliance. They have been written for your personal safety and the safety of others.

Emergency Services Australia: 000

Emergency Services New Zealand: 111

BEFORE YOU INSTALL - USEFUL DUCTING INFORMATION

Sirius warranty covers only Sirius product. If you choose to install a non-Sirius branded accessory such as flexible ducting, Sirius will only warrant the rangehood and motor. If installation is found to be the cause of failure or issue then charges will apply for service and parts.

Flexible ducting is not permitted under any circumstances. Flexible ducting has been found to increase noise levels, increase vibration and reduce airflow. Sirius Semi-rigid or solid ducting can be used in lieu. There is a range available to suit any application.



WARNING



The appliance must be installed and connected to the power supply only by a qualified technician.

- There should be adequate ventilation of the room when the rangehood is used at the same time as appliances burning gas or other fuels (not applicable to appliances that only discharge the air back into the room)
- The details concerning the method and frequency of cleaning
- There is a fire risk if cleaning is not carried out in accordance with the instructions
- Do not flambé under the range hood
- CAUTION: Accessible parts may become hot when used with cooking appliances

Ducting available at www.siriusaustralia.com and www.siriusnz.co.nz

6 Year Warranty when Sirius Ducting is used. Full replacement warranty on parts and labour.

See website for terms & conditions.

A reduction in the duct diameter from stated ducting size will void warranty.

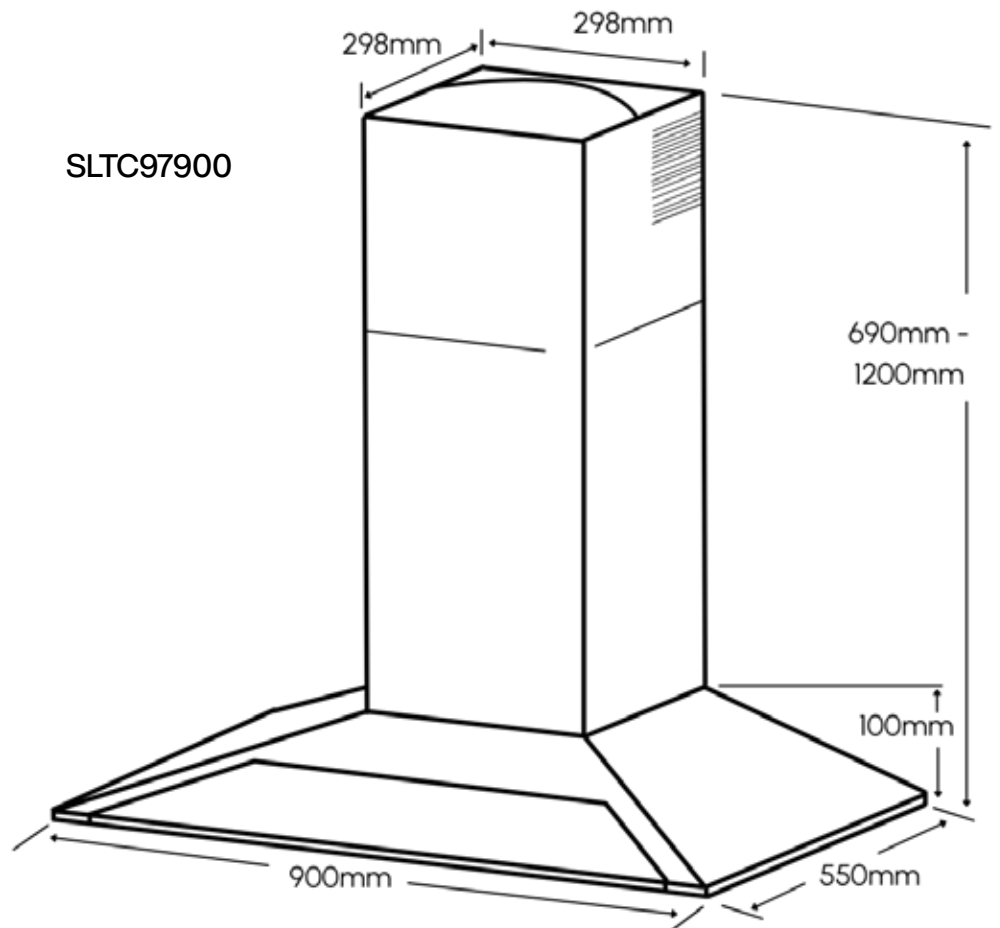
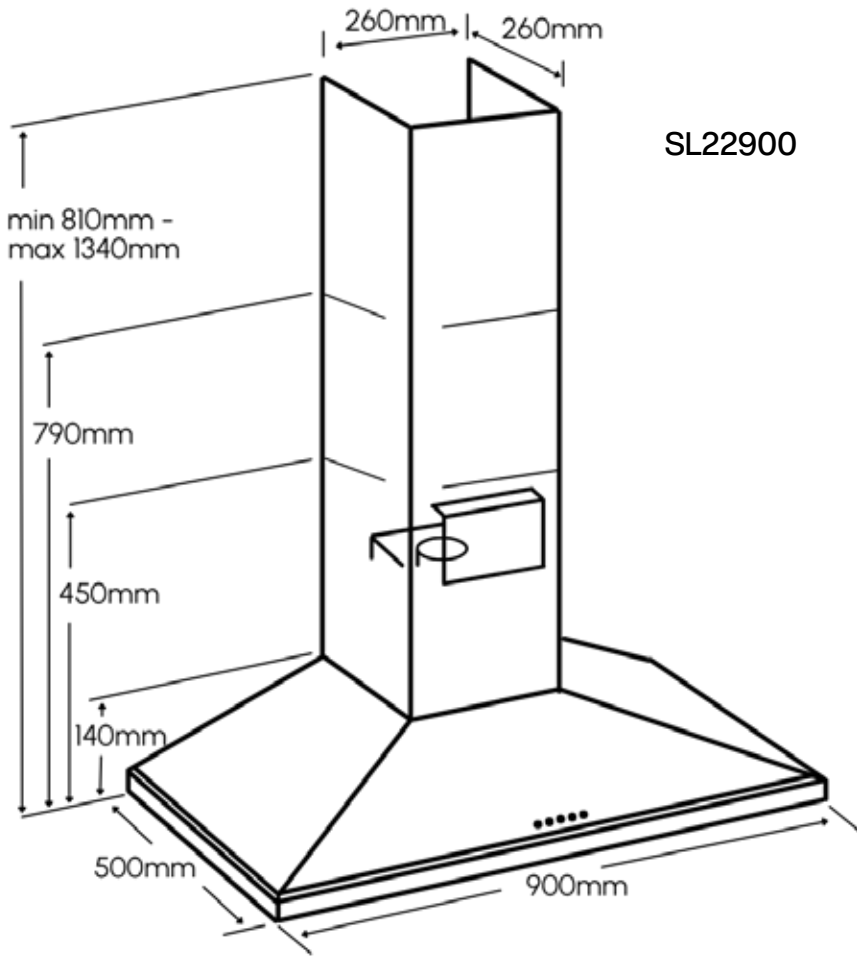
If you are in doubt about the ducting, please contact Sirius prior to installation:

AUS - 1300 762 219 or NZ - 09 306 1020



The symbol on the product or on its packaging indicates that this product may not be treated as household waste. Instead it shall be handed over to the applicable collection point for the recycling of electrical and electronic equipment. By ensuring this product is disposed of correctly, you will help prevent potential negative consequences for the environment and human health, which could otherwise be caused by inappropriate waste handling of this product. For more detailed information about recycling of this product, please contact your local city office, your household waste disposal service or the shop where you purchased the product. This appliance is marked according to the European directive 2/96/EC on waste electrical and electronic equipment (WEEE).

Canopy Rangehood with Onboard Motor



WHERE TO PLACE YOUR RANGEHOOD

Clearances & Placement



WARNING



Min. 600mm - Max. 700mm for induction cooktops.
Min. 650mm - Max. 750mm gas cooktops.

If the rangehood is positioned above the max height recommended, warranty may be compromised as performance of the rangehood will be affected. Measurement is taken from the top of the trivets to the underside of the hood. (Fig.1)

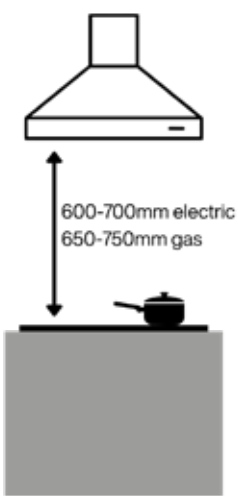
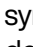
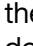
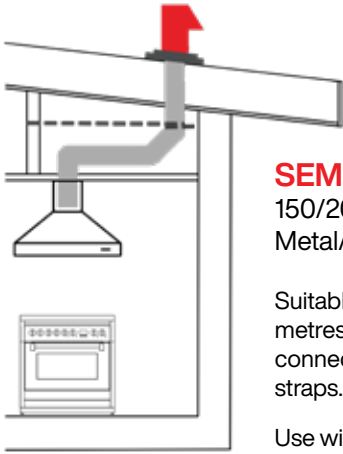


Fig.1 For optimal performance, it is crucial to match the rangehood size to the cooktop. This ensures the cooking area is covered and extraction is being pulled from correct area.

For even better performance especially for cooking with multiple burners and strong odours, it may be recommended to use a rangehood larger than the cooktop area.



- When placing your rangehood, ensure it is placed to cover the most cooking surface as possible.
- Using a rangehood that is smaller than the cooking surface may void the warranty and will result in a poor performance. The rangehood needs to be adequately sized to effectively capture and remove smoke, steam, and cooking odours.
- If the rating label in the rangehood shows the symbol  the appliance is built in Class II° and it does not need any earth connection.
- If the rating label in the rangehood does not show the symbol  the appliance is built in Class I° and it does need the earth connection.
- When performing the electrical connections on the appliance, please make sure that the current-tap is provided with earth connection and that voltage values correspond to those indicated on the label placed inside the appliance itself.
- Before carrying out any cleaning or maintaining operations, the appliance needs to be switched off. If the appliance is not provided with a non-separable flexible cable and plug, or with another device ensuring omnipolar disconnections from the grid, with an opening distance between the contacts of at least 3mm, then such disconnecting devices must be supplied within the fixed installation. If the fixed appliance is endowed with a supply cord and a plug, the appliance has to be put in a place where the plug can be reached easily.
- The use of materials which can burst into flames should be avoided in close proximity of the appliance. When frying, please pay particular attention to fire risk due to oil grease. Being highly flammable, fried oil is especially dangerous. Do not use uncovered electric grills. In order to avoid possible fire risk, all instructions for grease-filter cleaning and for removing eventual grease deposits should be strictly followed.
- The minimum distance between the supporting surface for the cooking vessels on the cooktop and the lowest part of the range hood shall be at least 60 cm. If the instructions for installation specify a greater distance, this has to be taken into account.

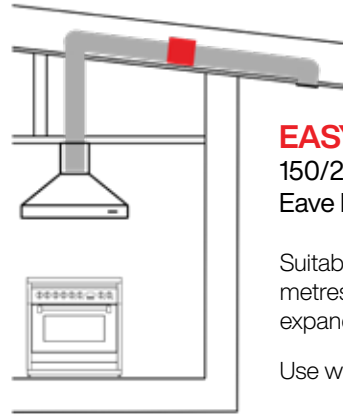


SEM51KIT

150/200mm diameter
Metal/Tiled Roof Installations

Suitable for duct runs of up to 4 metres, semi-rigid, solid duct, internal connectors, clamps, flashing and bracing straps.

Use with SEM51 - External Roof Motor.



EASYEAVEKIT

150/200mm diameter
Eave Installations

Suitable for duct runs of up to 3 metres, semi rigid, clamps 125/150 expander and eave vent included.

Use with SEM11 - Inline Motor.



EASYWALLKIT

150/200mm diameter
External Wall Installations

Suitable for duct runs of up to 3 metres, semi rigid, clamps 125/150 expander and wall vent include.

Use with SEM11 - Inline Motor.



EASYWALLKIT

150/200mm diameter
External Wall Installations

Suitable for duct runs of up to 3 metres, semi rigid, clamps 125/150 expander and wall vent include.

Use with SEM21 - External Wall Motor

All EasyKits can be extended with 1 set (2) Universal Ring Clamps, 1x connector and 1x SRPRO30 - Semi Rigid Duct length that expands upto 3 metres.



Note:

Rangehood and SEM motor cannot be installed back-to-back. There must be a minimum of 2 metres between rangehood and motor for best performances and noise reduction reasons.



WARNING



Failure to install the screws or fixing device in accordance with these instructions may result in electrical hazards

6 Year Warranty

when Sirius ducting is used

ONBOARD CLASSIC ALFRESCO CANOPY RANGEHOOD INSTALLATION



Before installing the appliance, make sure that none of the parts are damaged in any way. In case of damaged parts, contact your retailer and do not proceed with installation. Read all of the following instructions with care before installing the appliance.

Before installing the appliance - in order not to damage the appliance itself - the metal grease filter should be removed. These filters could be removed by pushing the handles towards the back side of the rangehood and pulling it downwards to unfasten it from its slot. See Fig 2.

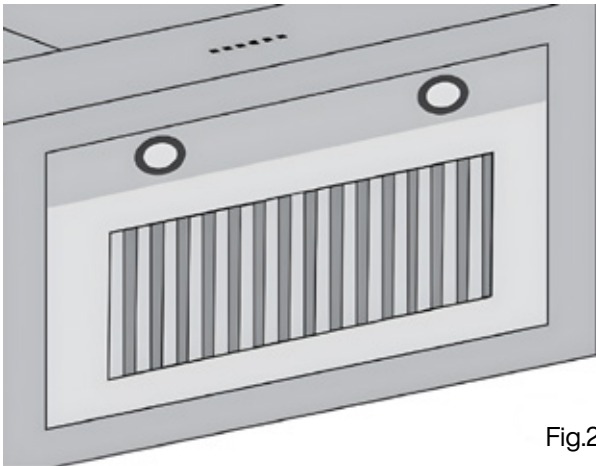


Fig.2

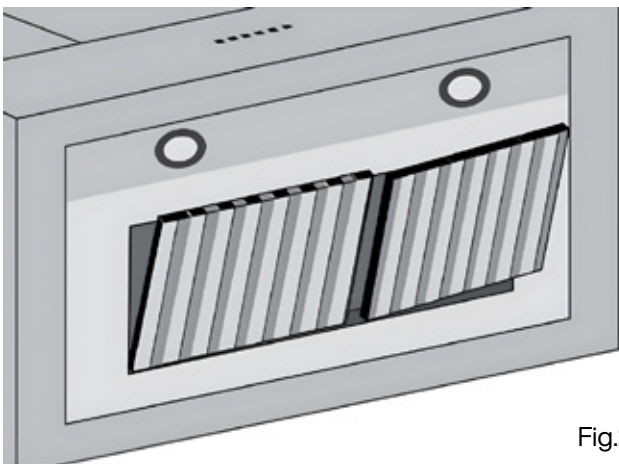


Fig.2a



Before connecting any ducting to the motor, make sure the non-return valves - which are on the air outlet of the motor - can swing open.



WARNING

The rangehood is heavy, two people are required for installation.

To install the appliance please follow these instructions:

1. Prepare the power supply - 240 volts.
2. Prepare a hole for the exhaust - 160mm diameter for SEM11, SEM21 or SEM51
 - Maximum length of ducting should not exceed 7 metres to motor. Minimum length of 2 metres between hood and motor.
 - Do not use screws to fix the ducting to the rangehoods as they will prevent the movement of non-return valves.
 - Limit the number of elbows in the ducting, since each elbow reduces the duct efficiency by 1 metre (i.e. if you use two 90° elbows, the length of ducting must not exceed 5 metres). Avoid abrupt direction changes.
 - Use 150mm constant diameter ducting for the whole length for single motors, 200mm ducting for twin motors.
3. Using the supplied bracket template (pg. 15), mark the location of the holes that need to be drilled in the wall, being careful to make sure that the wall behind is clear of electrical wiring, plumbing, pipes etc.

Note: Be sure to set the height of the rangehood between the minimum and maximum height requirements as per diagram Fig.1. This can be done by measuring from the lowest point of the rangehood to the horizontal support bar.

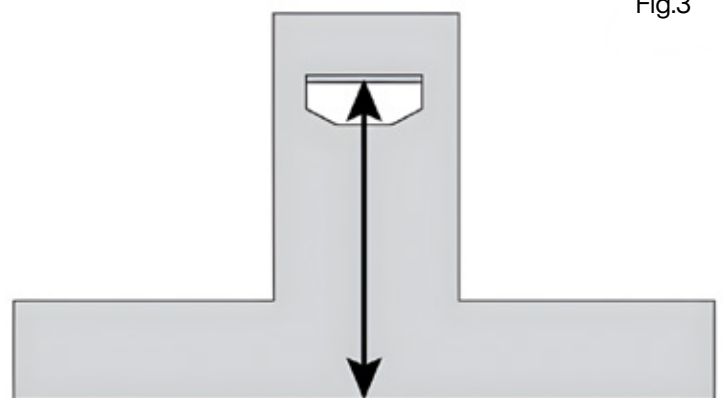


Fig.3

4. Using an 8mm drill bit, pre-drill the holes that will hold the bracket to the wall. (Using bracket template on page 15).
5. Insert the supplied plastic dowels to the pre-drilled holes and fix bracket to the wall with the supplied screws. (Note: Please use a spirit level to make sure the bracket is perfectly level.)

- Once the bracket is secure, using two people, lift the hood and drop the horizontal support bar onto the fixed bracket (Fig. 4).

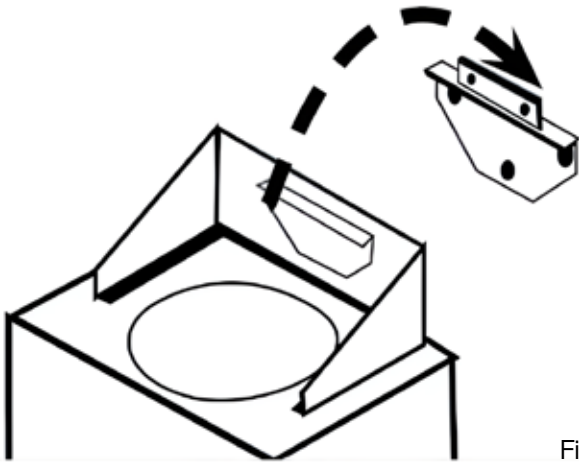


Fig.4

Note: There are additional holes on the inside of the hood to secure the rangehood flush to the wall and completely stable. Hole locations will vary per model.

- Connect your ducting to the outlet collar on the rangehood and secure in place with a ring clamp if you are using semi rigid ducting. If you are using solid/rigid ducting, an external duct connector is required.

Note: do not fix the ducting in place with screws as they will prevent the movement of the non-return valves. (See page 6 for ducting options). Complete all of the duct work to the atmosphere before fixing the flue covers in place to ensure the ducting has not come free.

- Insert the upper flue cover into the lower flue cover and mount into the channel on the top of the rangehood. There are two spring loaded clips that need to be on the inside of the lower flue cover to secure in place.

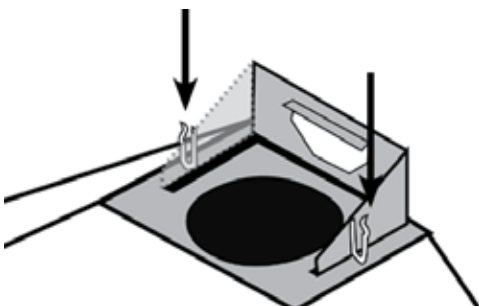


Fig.5

- Telescope the upper flue cover to the ceiling and mark with a pencil the outer line of the cover, this will give you the exact location of where the top fixing bracket needs to be fitted to the ceiling.
- Fix the top fixing bracket into place using the supplied 30mm screws

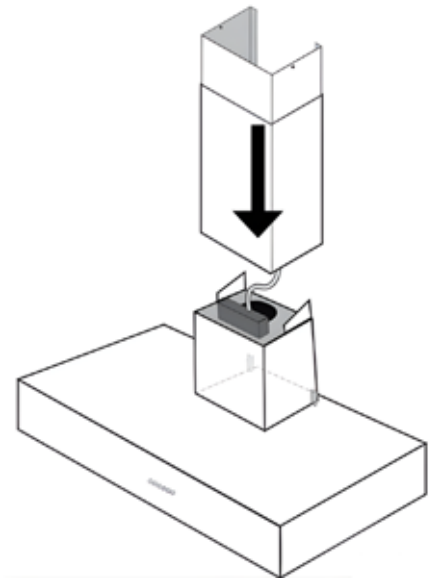


Fig.6

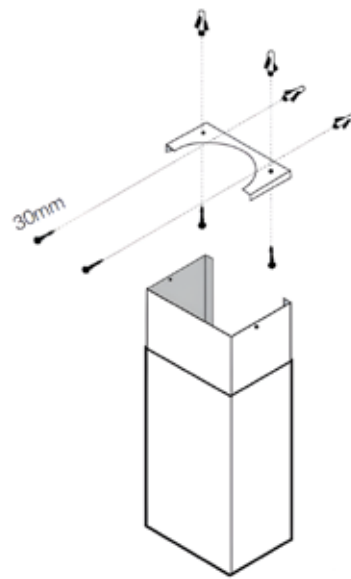


Fig.7

- Telescope the upper flue cover over the bracket and secure in place with the very small 10mm supplied screws

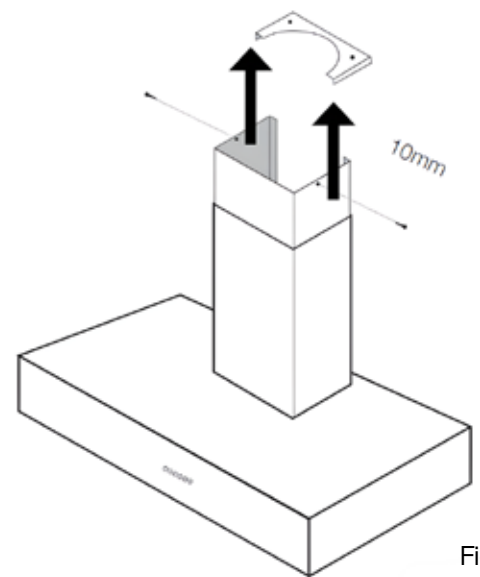


Fig.8



Please do not fix shroud permanently. Must be removable for servicing purposes

OPERATION

SL22900



Light switch on/off



Fan speed 1



Fan speed 2



Fan speed 3



Fan speed 4 - Booster



10 minute shut-off timer

SLTC97900



↑

A



↑

B



↑

C



↑

D



↑

E

- A - Light switch on/off
- B - Fan speed decrease / off
- C - Fan speed indicator
- D - Fan speed increase
- E - 10 minute shut-off timer

Dimmable Function

This function allows you to dim the lighting, ranging from 20% to 100% by continuously pressing the light key.



Hood Light OFF / ON - Shortly press the key. The light will be at 100%

Dim Lighting - Continuously press the key until desired brightness

Dynamic Light Function

Make sure that the lights and the fan are off.

Holding down the TIMER button will turn on the light at the previously set colour temperature.



Press and hold the Light button to change the colour temperature.




As long as the key is kept pressed, the colour temperature is changed from warm to cold. When desired temperature is reached, release the Light button.

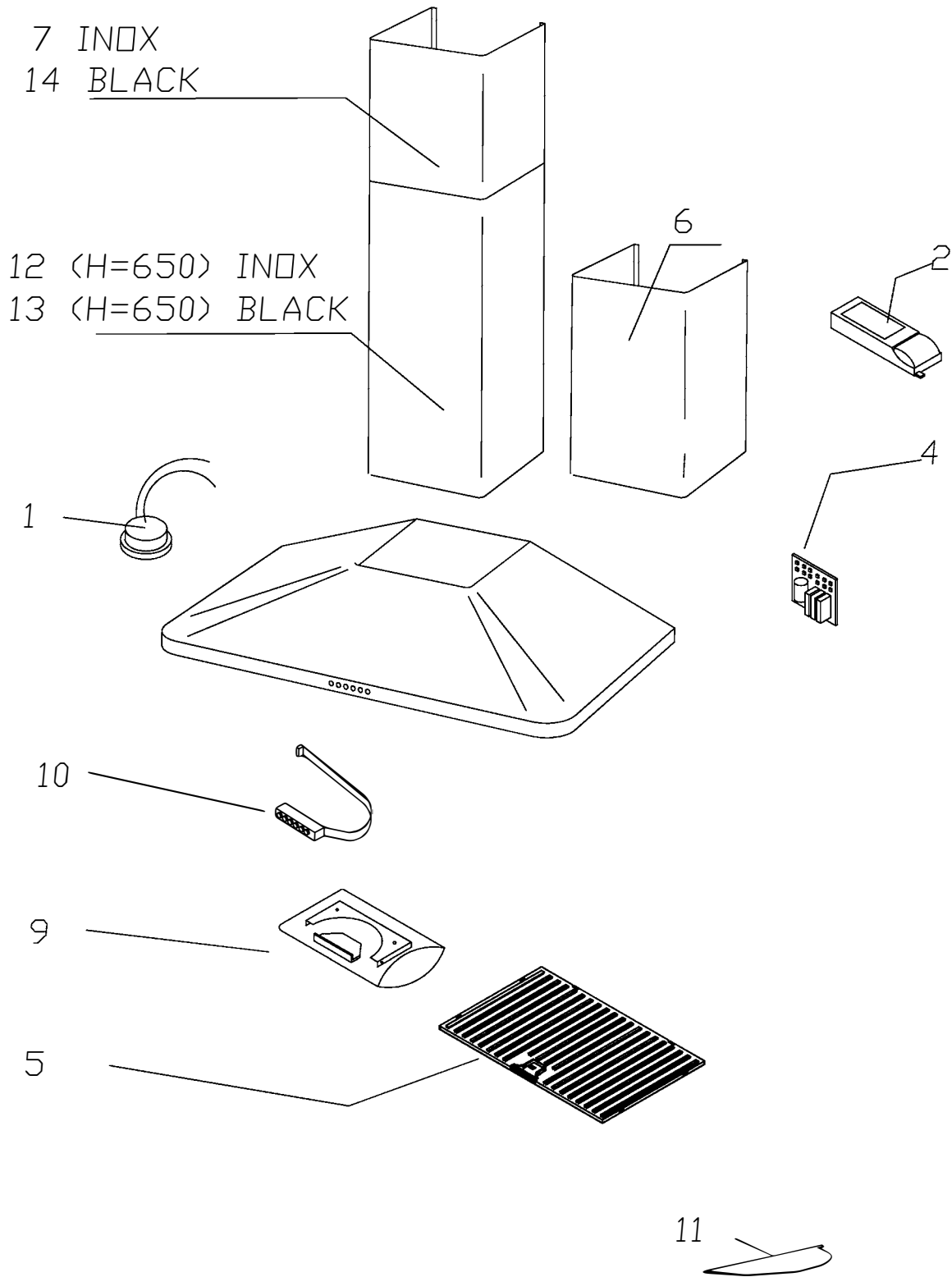
Exit the colour temperature selection function by pressing the ON/OFF key.



MAINTENANCE

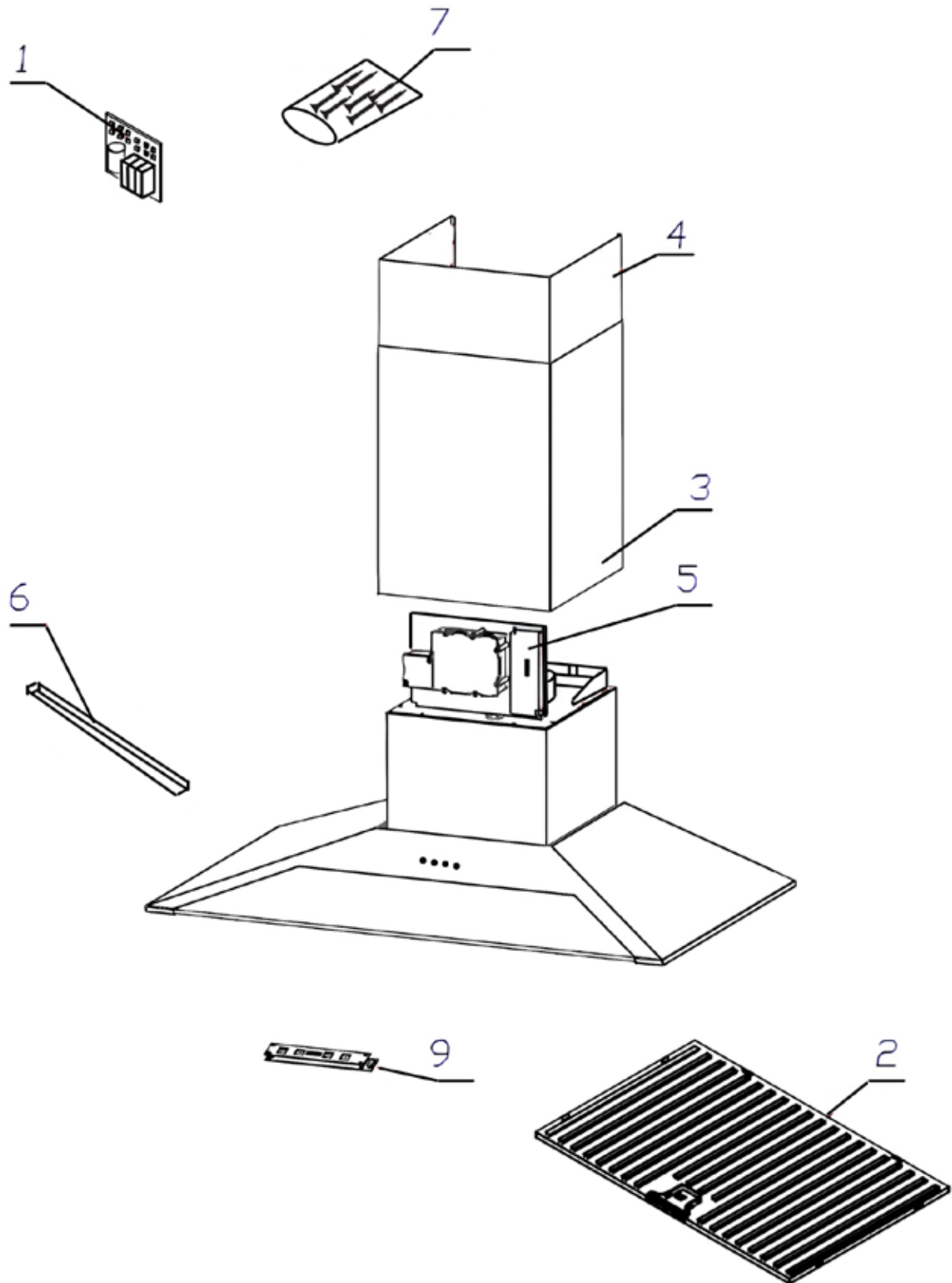
- Accurate maintenance guarantees good functioning and long-lasting performance.
 - Particular care is due to the grease filters. They can be removed by pushing its handle toward the back side of the rangehood and pulling the filter downwards so to unfasten it from its slot (Fig.3). To insert the filter just perform the opposite operation.
 - After 30 hours of operation, the push button control panel will flash, signaling the filters are due for cleaning. Press the timer button to reset.
- 
- The grease filter needs cleaning by regular handwashing or in dishwashers every two months at least, depending on its use.
 - Filters may require cleaning sooner if frequent heavy cooking is done.
 - To clean the appliance itself, water and detergent are recommended, while abrasive products should be avoided. For steel appliances specialised detergents are recommended (please follow the instructions indicated on the product itself to obtain the desired results).

EXPLODED VIEW - SL22ELEM90



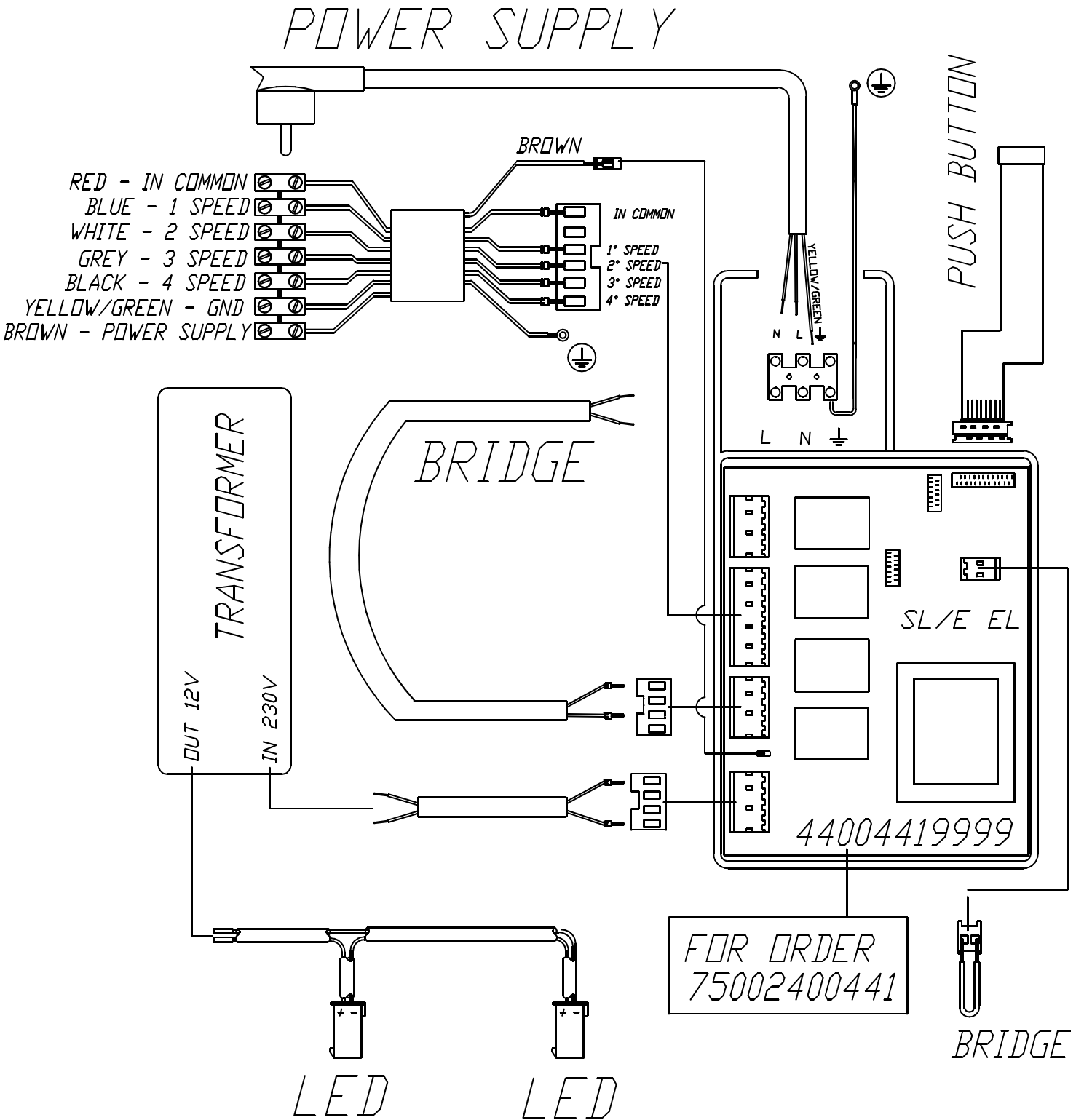
1	LED Light 75090552561	7	Upper Chimney SS75032200046	12	Lower Chimney - SS - 650mm 75022200011
3	Transformer 75090552330	9	Accessories 75075030002	13	Lower Chimney - Black - 650mm 75042200001
4	Wiring Board 75002400441	10	Buttons 75041689999	14	Upper Chimney - Black 75052200001
5	Filter 75084999999	11	Non Return Valve 60064999999	21	LED Spot Light 75042163536
6	Lower Chimney 75022200001				

EXPLODED VIEW - SLTC97EMEL90

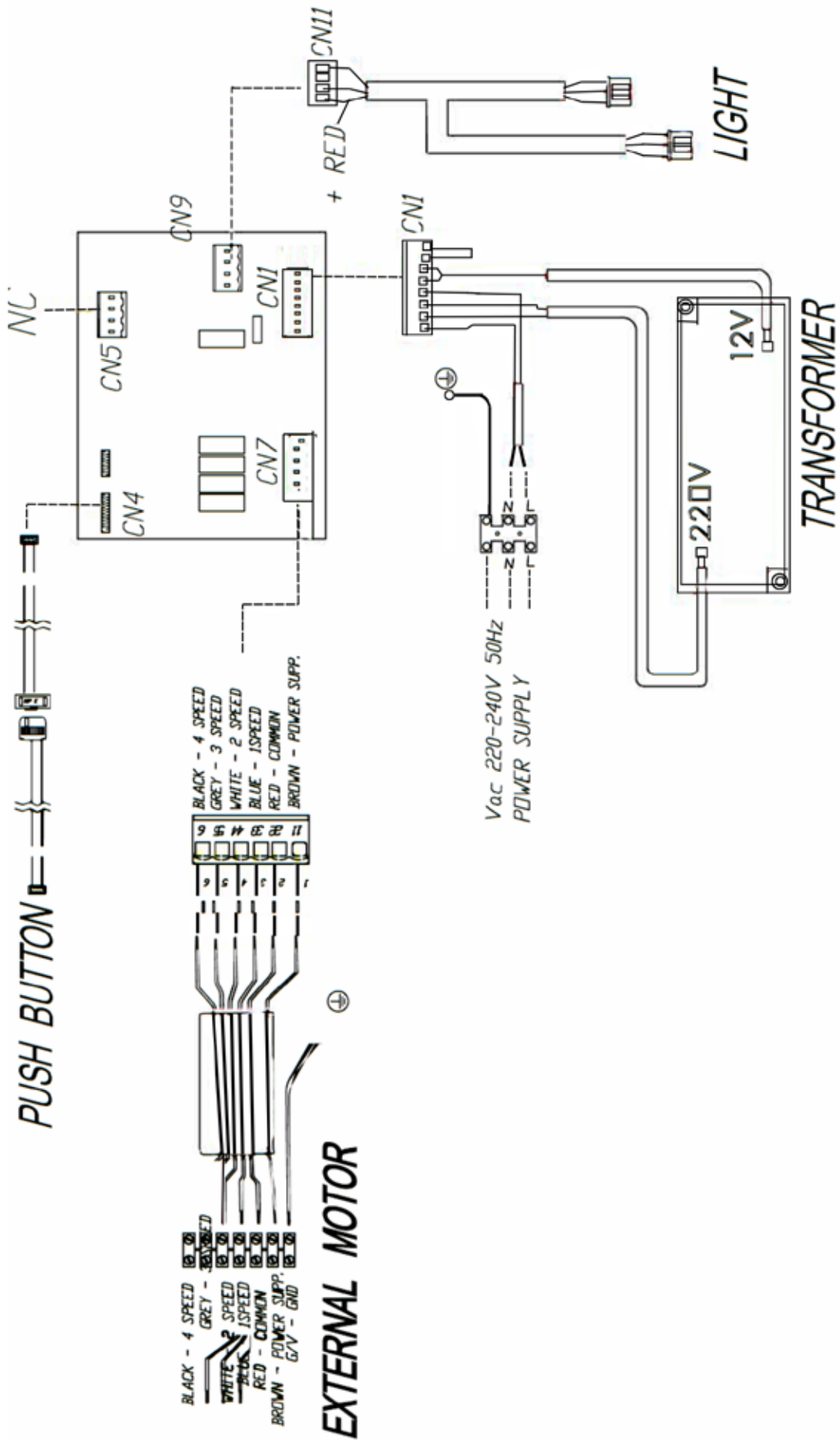


1	Wiring Board 75075030972	4	Upper Chimney 75009700034	7	Accessories 75085404851
2	Filter 75071500024	5	Transformer 75070092304	9	Buttons 77046800109
3	Lower Chimney - 570mm 75009700024	6	LED Bar 75001320028		

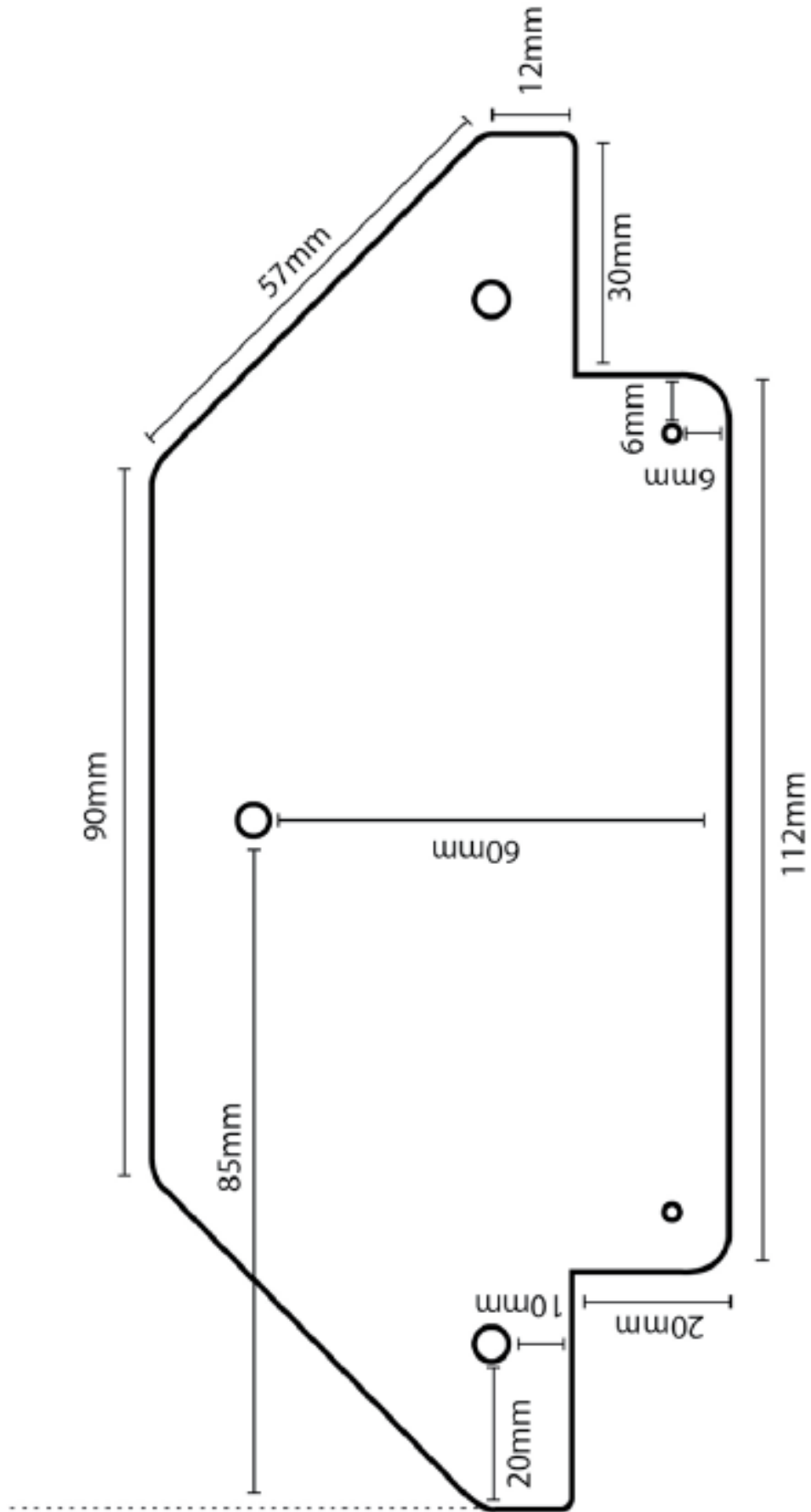
WIRING DIAGRAM - SL22ELEM90



WIRING DIAGRAM - SLTC97EMEL90



BRACKET TEMPLATE



WARRANTY INFORMATION



Dear Customer,

Thank you for choosing this Sirius Rangehood.

We are sure that it will provide you with many years of excellent service. At Arisit Pty Limited we are dedicated to ensuring that our customers receive the best possible after-sales care.

The Sirius 'Protection Plan' has been devised to give you added peace of mind. Should you encounter any problems with your appliance, our nationwide team of specially trained technicians will deal with your call swiftly and efficiently.

PRIORITY SERVICE, ACCESSORIES & SPARE PARTS

AUSTRALIA

ARISIT PTY LIMITED

40-50 Mark Anthony Drive, Dandenong South,

VIC 3175, Australia

Phone: 1300 762 219

Email: consumer.care@arisit.com

NEW ZEALAND

ARISIT PTY LIMITED

Phone: (09) 306 1020

Email: arisit.nz@arisit.com

Warranty

By registering your ownership NOW, you qualify for Sirius's Total Peace of Mind Protection Plan.

Australian & New Zealand 3 / 6 Year Protection Plan*

This guarantees your appliance for a full 3 years parts and labour & 10 years for the off-board motors (covering manufacturing defects only) from the date of purchase, subject to the Terms and Conditions overleaf.

***3 Year warranty is extended to a 6 year period only when Sirius ducting is installed.**



YOUR WARRANTY

Register now to qualify.

Terms & Conditions

These Terms and Conditions apply only to Sirius products distributed in Australia and New Zealand by Arisit Pty Limited.

1. This warranty applies for a period of 3 years on all products.

a) Warranty is extended to a 6 year period when Sirius ducting is installed.

b) All off-board motors are covered under warranty for a 10 year period for manufacturing defects only.

2. Warranty applies for parts and labour in Australia and New Zealand, commencing from date of purchase.

3. This warranty applies only to the original purchaser/hire purchaser of this appliance and cannot be assigned or transferred. Failure to produce documentary proof of the date of original acquisition by the original purchaser will result in a charge being levied for work done, labour and parts supplied.

4. This warranty does not apply to:

a) Consumable items such as filters, fuses, and light bulbs.

b) Damage to body work, paint work, glass, and plastic items (such as, but not limited to windows, covers, baskets, trays, worktops, door handles, control and kick panels.)

c) Corrosion & rust damage. A fee may be charged following warranty claims where no fault is found with the appliance

5. This warranty will not apply where:

a) The fault is caused by accident, misuse, an infestation of insect and or vermin, fire, flood or the use of products not approved by Arisit Pty Limited.

b) There has been a failure to comply with the manufacturer's operating and installation instructions.

c) Service, modification or repair has been carried out by anybody other than an approved Arisit Service Technician.

d) The appliance has been used/ installed anywhere other than a private dwelling, or where it has been used other than for domestic use.

e) The appliance is subject to a rental agreement.

6. Any defective part that has been replaced becomes the property of Arisit Pty. Limited.

7. This warranty applies only to Sirius appliances purchased and installed in Australia and New Zealand.

8. Loss of use of the appliance or consequential loss of any nature is not covered.

9. A charge may be levied at the discretion of Arisit Pty Limited if the call is deemed unnecessary or if the cause of failure is traced to external sourced such as, but not limited to: blown fuses, power failure, faulty installation, customer misuse or negligence, etc

10. Where the appliance, the subject of a warranty claim or repair, is used or installed more than TWENTY (20) kilometres from the nearest Arisit Service Division or Authorised Service Agent, the cost of delivery to the nearest Service

Division or travel costs for a technician or Authorised Service Agent shall be for the account of the Purchaser. Where a built-in appliance is located or installed outside the Arisit Authorised Service Agent's normal service area, additional travel and labour costs shall be the account of the

Purchaser .

11. Service is offered during normal business hours only, also appliances to have a clear access in a serviceable area

12. Arisit Pty Limited shall not under any circumstances be responsible in terms of this warranty for the replacement or repair of any part of the equipment which may have been damaged in transit, during and after installation or imperfections after installation.

13. Losses caused by act of God, failure to obtain spare parts, strikes or lockouts are not covered.

14. External off board motors must be installed a minimum of 2 metres and maximum of 7 metres away from the rangehood. This is for optimum sound and performance.

15. All motors must be accessible for servicing purposes and if installed above 2 metres from ground height additional cost will be incurred due to OH&S standards for service agents. Prior to install please check minimum & maximum installation details on the Sirius website, FAQ under support tab. We reserve the right to amend any of the above without prior notice.

16. This warranty does not affect your statutory rights.

To register your product for warranty, click the QR code or visit www.siriusbrand.com/pages/register-new-product

6 Year
Warranty
when Sirius ducting is used

Full replacement warranty on parts and labour. Check website for T&Cs.
10 year warranty on SEM motors.





Sirius

A U S T R A L I A & N E W Z E A L A N D

www.siriusaustralia.com
www.siriusnz.co.nz

ARISIT PTY LIMITED (Australia)

ABN 23 091 515 294
40-50 Mark Anthony Drive
Dandenong South VIC 3175
P: Sales & Service: 1300 762 219
F: Sales & Service: (03) 9768 0838
E: arisit@arisit.com

ARISIT PTY LIMITED (New Zealand)

P: (09) 306 1020
E: arisit.nz@arisit.com

Sirius Hoods and ducting products are only available from our select group of Sirius Professional Stockists nationwide. For the latest list of Sirius Stockists near you, please refer to www.siriusaustralia.com

All efforts have been made to ensure that the information provided in this brochure is correct at the time of printing. Due to continuous product improvement and ongoing development, Sirius reserves the right to make changes to the products and technical data without prior notice.

Some products appearing in this brochure may be for illustrative purposes only. Diagrams are indicative measures only. Prior to commencing cabinetry cutouts the operating/installation instructions accompanying the product must be referred to at www.siriusaustralia.com